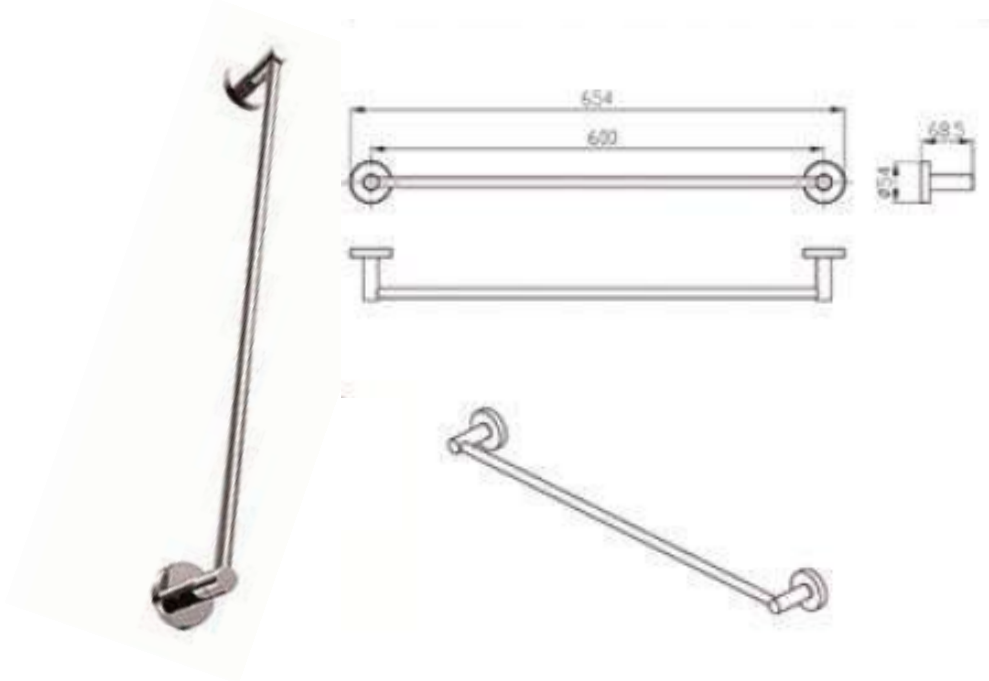


# ECO



<b>PRODUCT</b>	<b>TOWEL BAR</b>
<b>LINE</b>	<b>PLATINUM</b>
<b>MATERIAL</b>	<b>STAINLESS STEEL</b>
<b>DIMMENSIONS</b>	<b>622X730 MM</b>
<b>COLOR</b>	<b>SILVER</b>